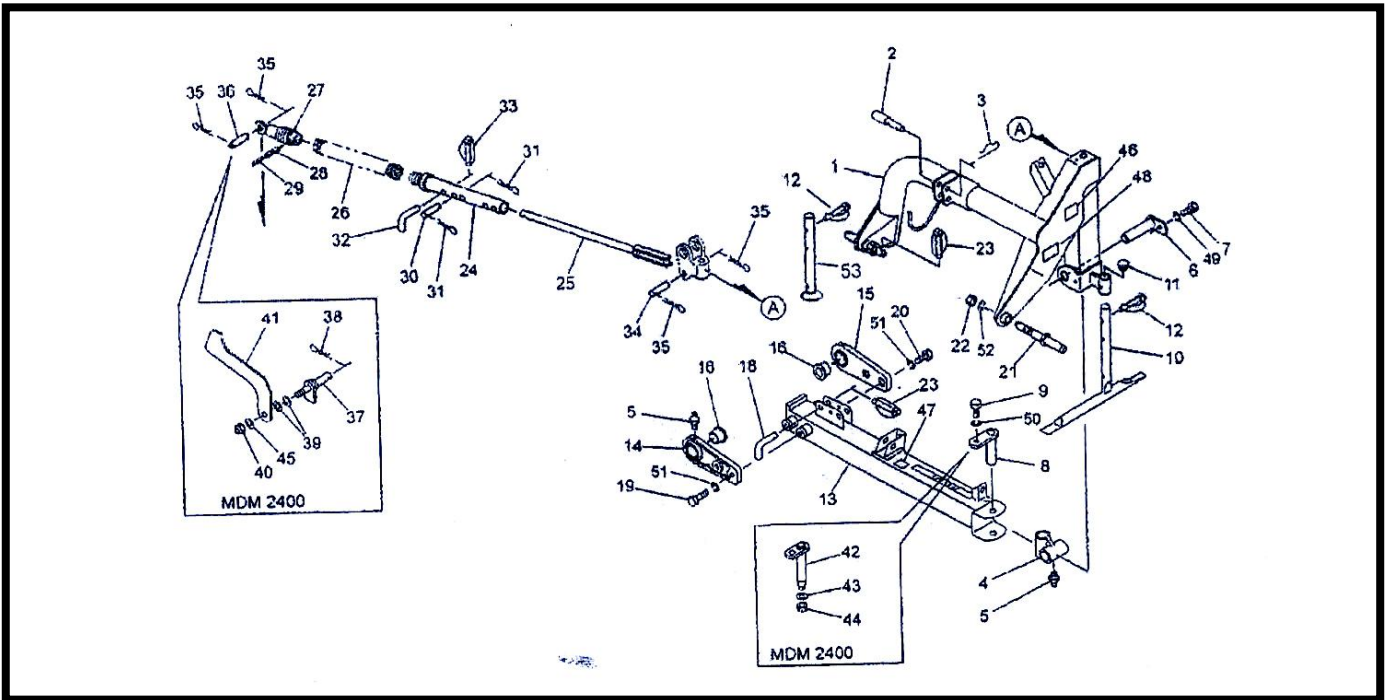
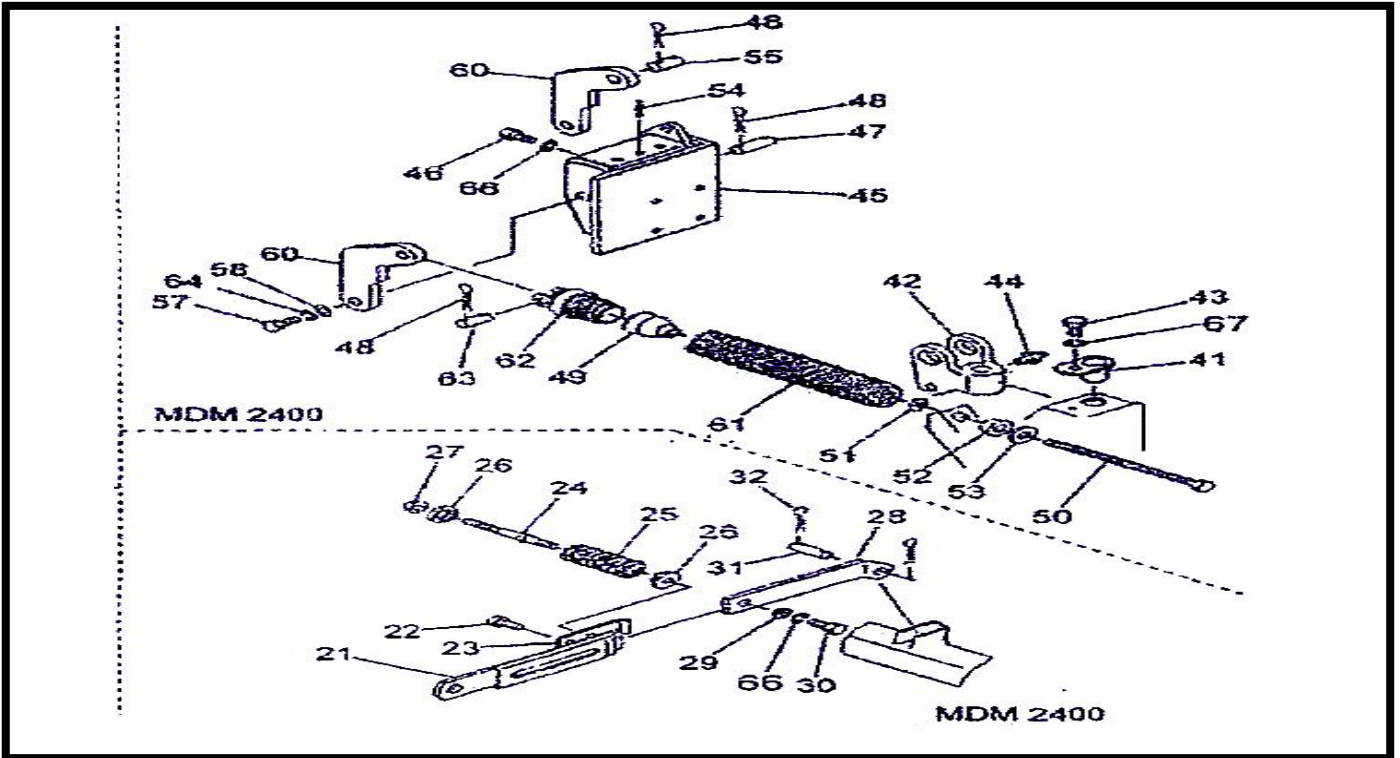


FRAME SUSPENSION ASS



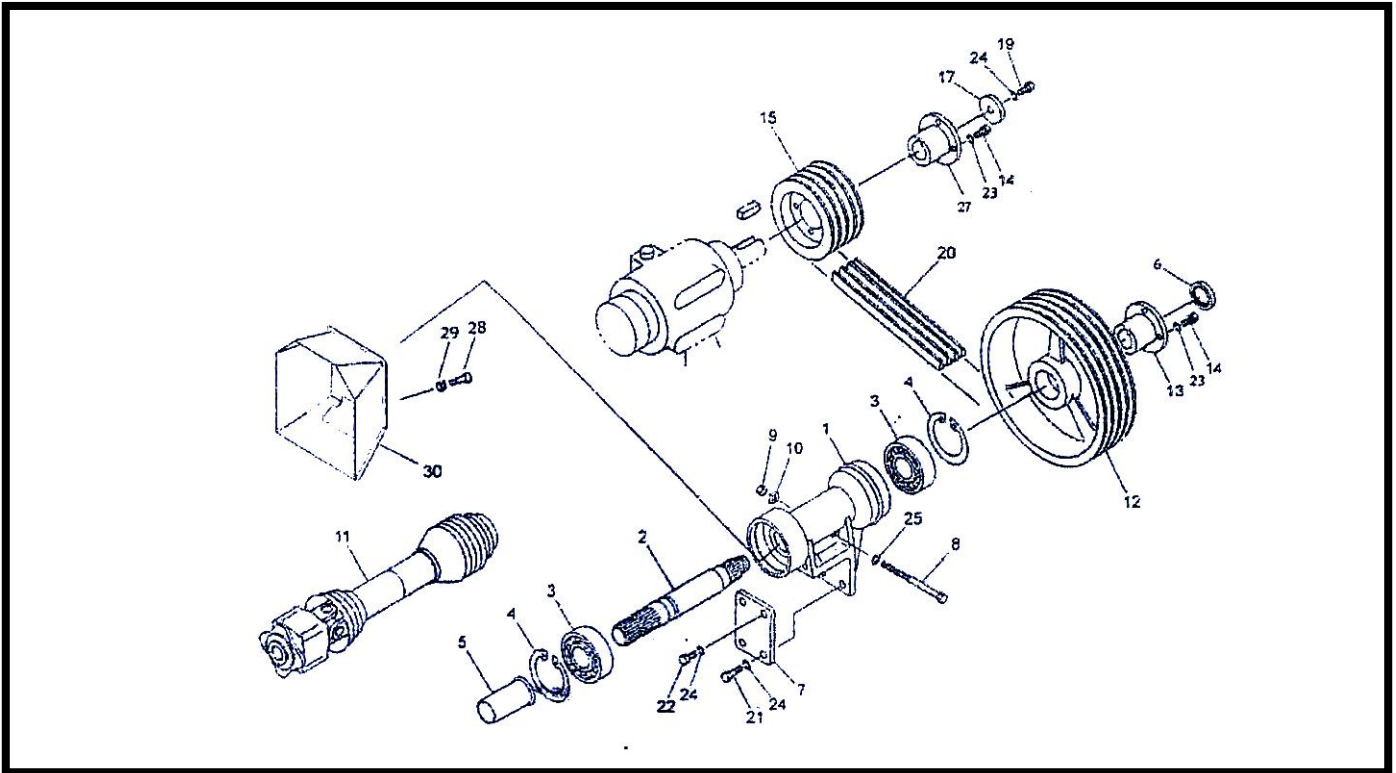
No.	Drawing No.	item	Qty	No.	Drawing No.	item	Qty
1	0450110100	3P frame CP	1	28		Cylindrical pin 6x40	1
2	0450110200	Upper connecting pin	1	29		Cylindrical pin 10x40	1
3		B pin: 19x3	1	30	0450111600	Pin 16x60	1
4	0450110300	sleeve	1	31		Cotter pin 3.2x32	1
5		Grease nipple A M6x1	3	32	0450111700	Pin	1
6	0450110400	Pin CP: F40x135	1	33		Annular pin 9	1
7		Bolt M12x25 8.8	1	34	0450111800	Pin 20x104	1
9		Bolt M10x20 8.8	1	37	0450111900	Pin CP	1
10	0450110500	Support CP	1	38		Cotter pin 5x36	1
11		Cap 28.6	1	39		Disc spring	2
12		Bayonet lock 9	2	40		Nylon locking nut M16	1
13	0450110700	Main frame CP	1	41	0450112000	Stop plate	1
14	0450110800	Sleeve F	1	42	0450112100	Pin CP	1
15		Sleeve RE	1	43		Washer 20	1
16	0450110900	Bush 100x34	2	44		Nylon locking nut M20	1
18	0450111000	Pin 16	1	45		Washer 16	1
19		Bolt M16x35 8.8	2	46		Label: operating	1
20		Bolt M16x35 8.8	2	47		Label :540-600rpm	1
21	0450111100	Lower connecting pin;II	2	48		Data plate	1
22		Nut M24x1.5 8	2	49		Spring washer 12	11
23		Annular pin 9	4	50		Spring washer 10	1
24	0450111200	Seat CP	1	51		Spring washer16	4
25	0450111300	Conneting rod CP	1	52		Spring washer 24	2
26	0450111400	Spring H10x53x500	1	53	0450112200	Support CP	1
27	0450111500	Rod head CP	1				

CONNECTING PARTS--SAFETY ASS



No.	Drawing No.	item	Qty	No.	Drawing No.	item	Qty
21	0450210100	Safe bar CP	1	51		Nut M16	1
22	0450210200	Pin; 20	1	52	0450211600	Spheric washer :16	1
23	0450210300	Positioning plate	1	53		Washer: 16	1
24	0450210400	Double head safety bolt	1	54		Elastic cylindrical pin 10x32	1
25	0450210500	Spring A10x38x150	1	55	0450211700	Pin 20x55	1
26	0450210600	Spring seat	2	57		Bolt M12x30 8.8	1
27		Nylon locking nut M16	1	58		washer	1
28	0450210700	Rod CP	1	60	0450211800	Rod : 180	2
29	0450210800	Axle sleeve	1	61	0450211900	Spring :H14x68x756	1
30		Bolt M16x35	1	62	0450212000	Seat : CP	1
31	0450210900	Pin 20x72	1	63	0450212100	Pin :20x55	1
32		Cotter pin 5x36	2	64		Spring washer 12	1
41	0450211000	Pin CP: B	1	66		Spring washer 16	1
42	0450211100	Bracket	1	67		Spring washer 10	1
43		Bolt M10x20 8.8	1				
44		Grease nipple A M6	1				
45	0450211200	Lifting support CP	1				
46		Hexagon socket screw M16x40	4				
47	0450211300	Pin 20x65	1				
48		Cotter pin 5x36	4				
49	0450211400	Spring seat: 51	1				
50	0450211500	Bolt CP: M16x600	1				

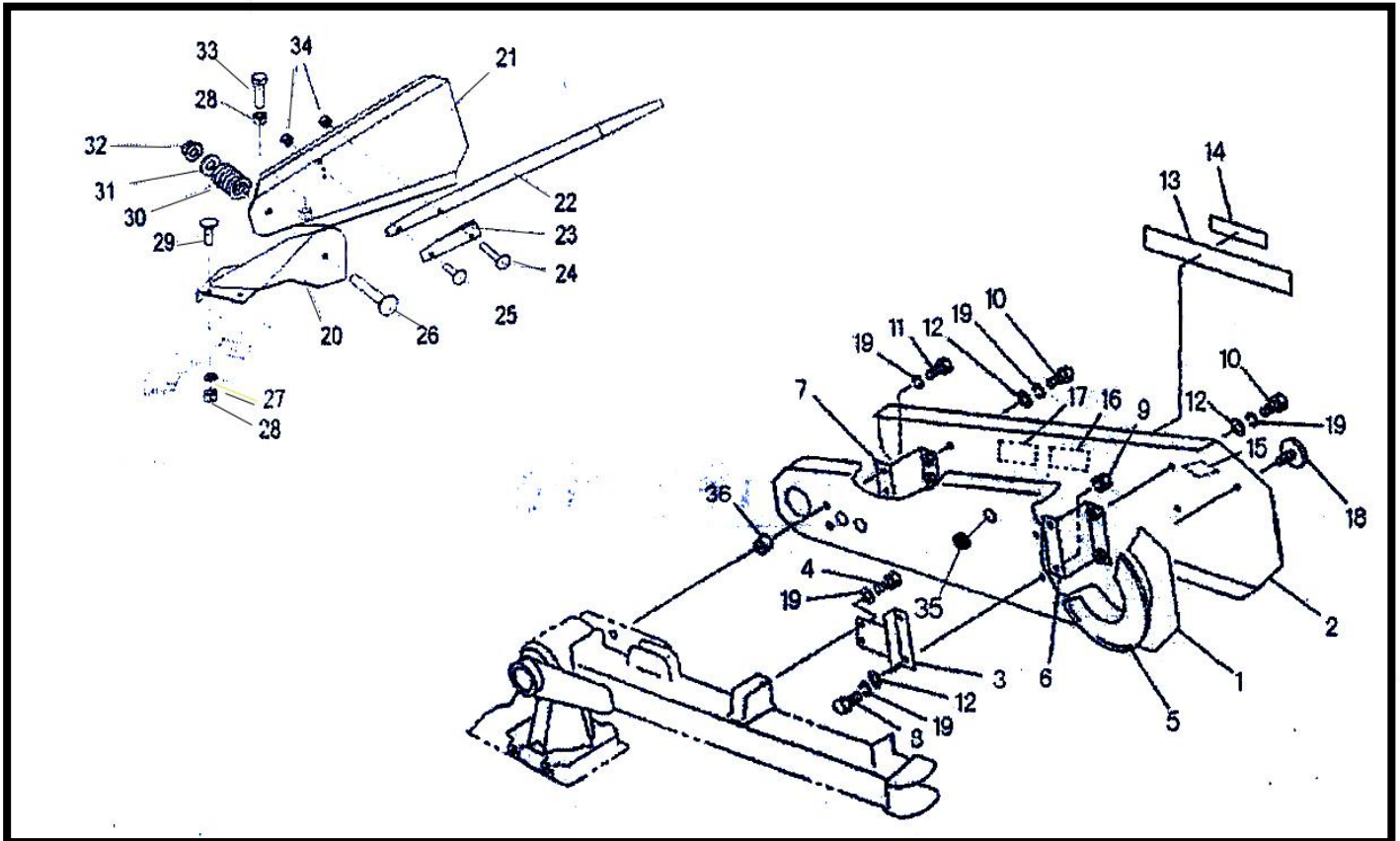
TRANSMISSION MECHANISM1



1

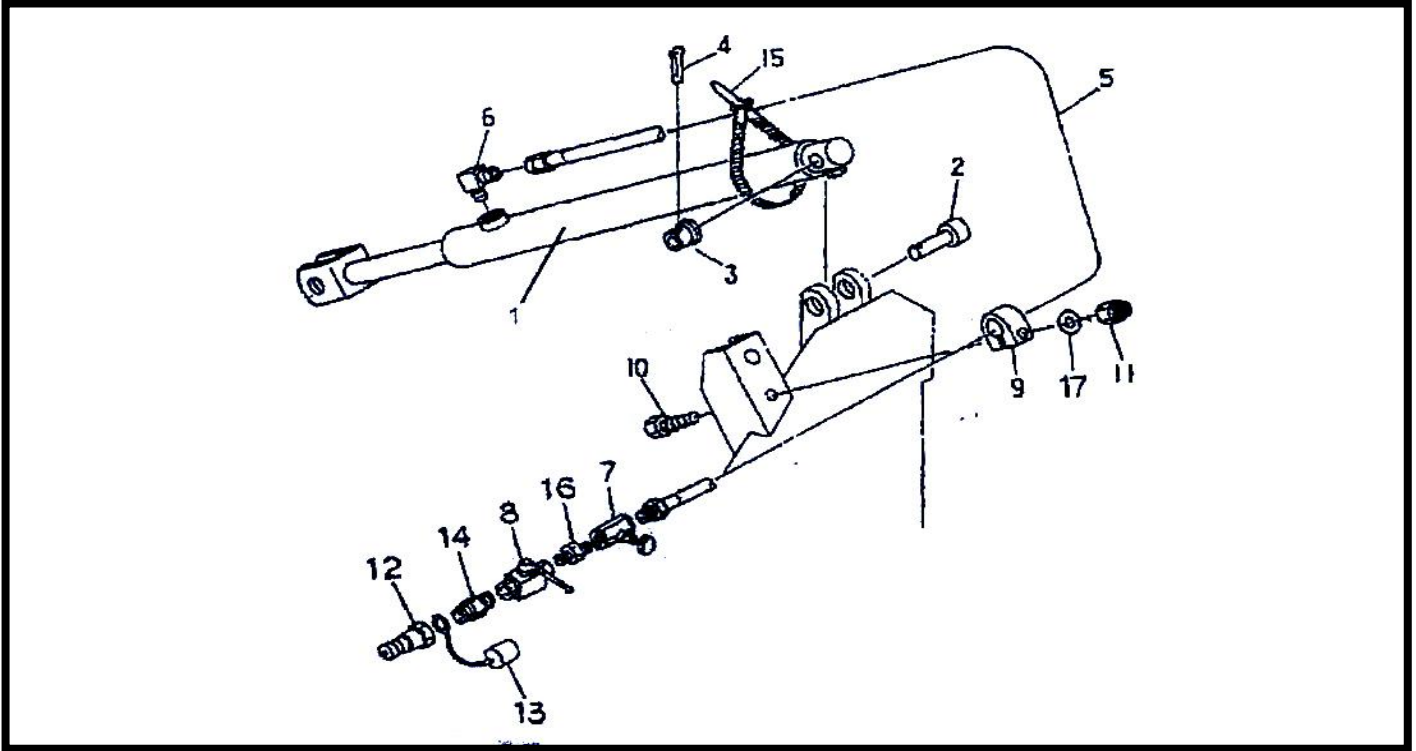
No.	Drawing No.	item	Qty	No.	Drawing No.	item	Qty
1	0450310100	Bracket	1	24		Spring Washer 12	5
2	0450310200	PIC input shaft	1	25		Washer 12	1
3		Bearing	2	27	0450310900	Liner bushing B	1
4		Circlip 72	2	28		Bolt M8x20	2
5		Shaft sleeve	1	29		Nut M8	2
6		Caulking nut M30x1.5	1	30	0450311000	PIC cover CP	1
7	0450310300	Steel plate	1				
8	0450310400	Bolt	1				
9		Hex Nut M12 (8)	1				
10	0450310500	Four hexagon nut M12	1				
11		Universal coupling	1				
12	0450310600	V belt pulley 305B-4	1				
13	0450310700	Liner bushing: A	1				
14		Bolt M10x30 8.8	8				
15	0450310800	V belt pulley: 165B-4	1				
17		Washer 13x6	1				
19		Bolt M12x30 8.8	1				
20		V belt B-104	4				
21		Hex bolt M12x190	2				
22		Bolt M12x100 8.8	2				
23		Spring Washer 10	8				

COVER--GUARD PLATE



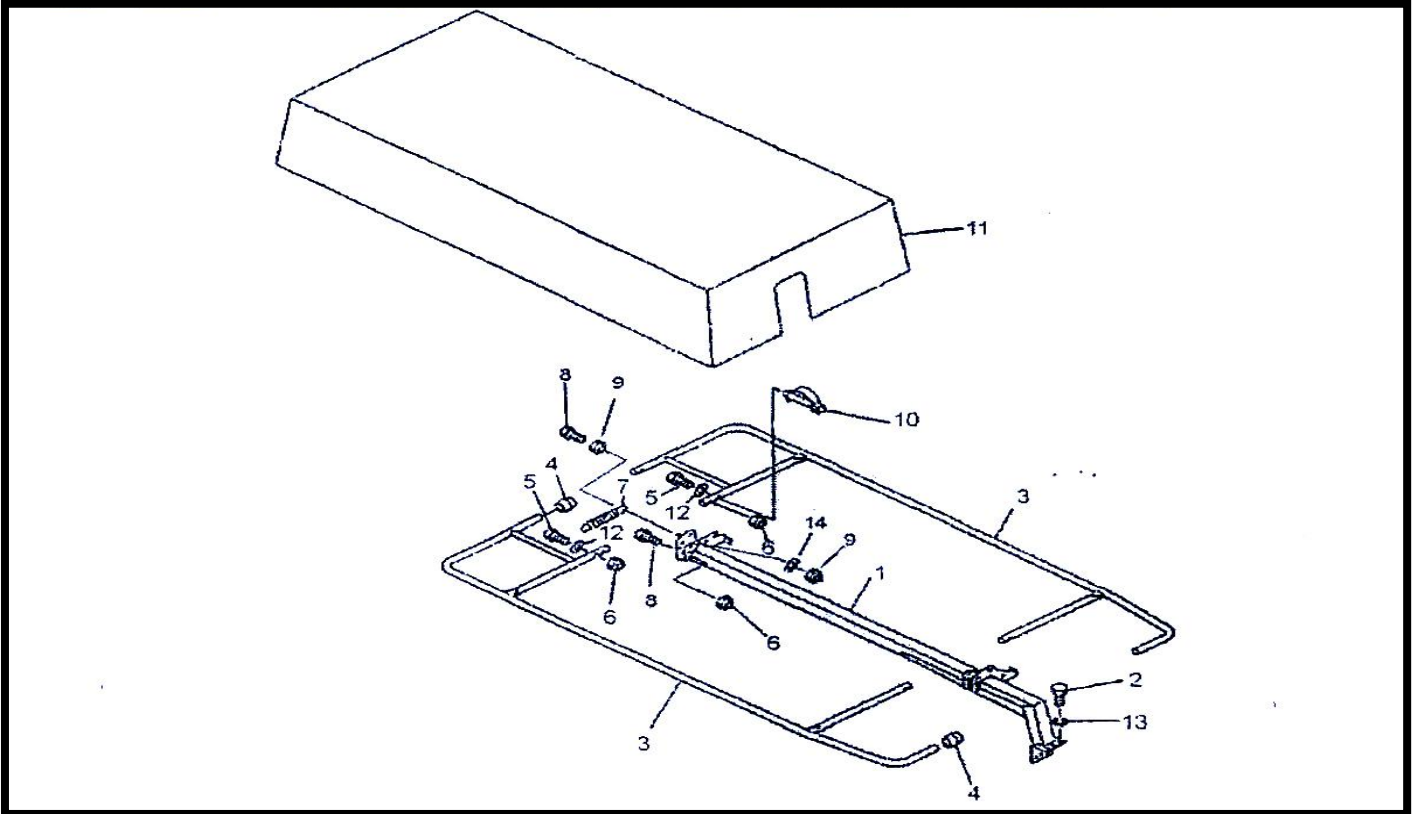
No.	Drawing No.	item	Qty	No.	Drawing No.	item	Qty
1	0450410100	Pulley cover: F	1	23	0450411100	Guard rod seat	1
2	0450410200	Pulley cover CP: RE	1	24		Bolt M8	1
3	0450410300	Support plate CP	1	25		Bolt M8	1
4		Bolt M10x20	2	26		Bolt M12x85	1
5	0450410400	Cover	1	27		Spring washer 10	3
6	0450410500	Support plate CP big	1	28		Hex nut M10	3
7	0450410600	Support plate CP small	1	29		Bolt M10x30	3
8		Bolt M10x25	2	30	0450411200	Compression spring 6x25x48	1
9		Nut M10	2	31		Washer 12	1
10		Bolt M10x20	4	32		Nylon locknut M12	1
11		Bolt M10x40	2	33		Bolt M10x40 8.8	1
12		Washer 10	6	34		Nylon locknut M8	2
16		Label :waring	2	35		Seal cap	1
17		Label: waring	1	36	0450411400	Bush	2
18	0450410700	Mirror	1				
19		Spring washer 10	1				
20	0450410800	Support connecting plate CP: R	1				
21	0450410900	Guard plate CP: R	1				
22	0450411000	Guard rod	1				

ADJUSTMENT LEVER



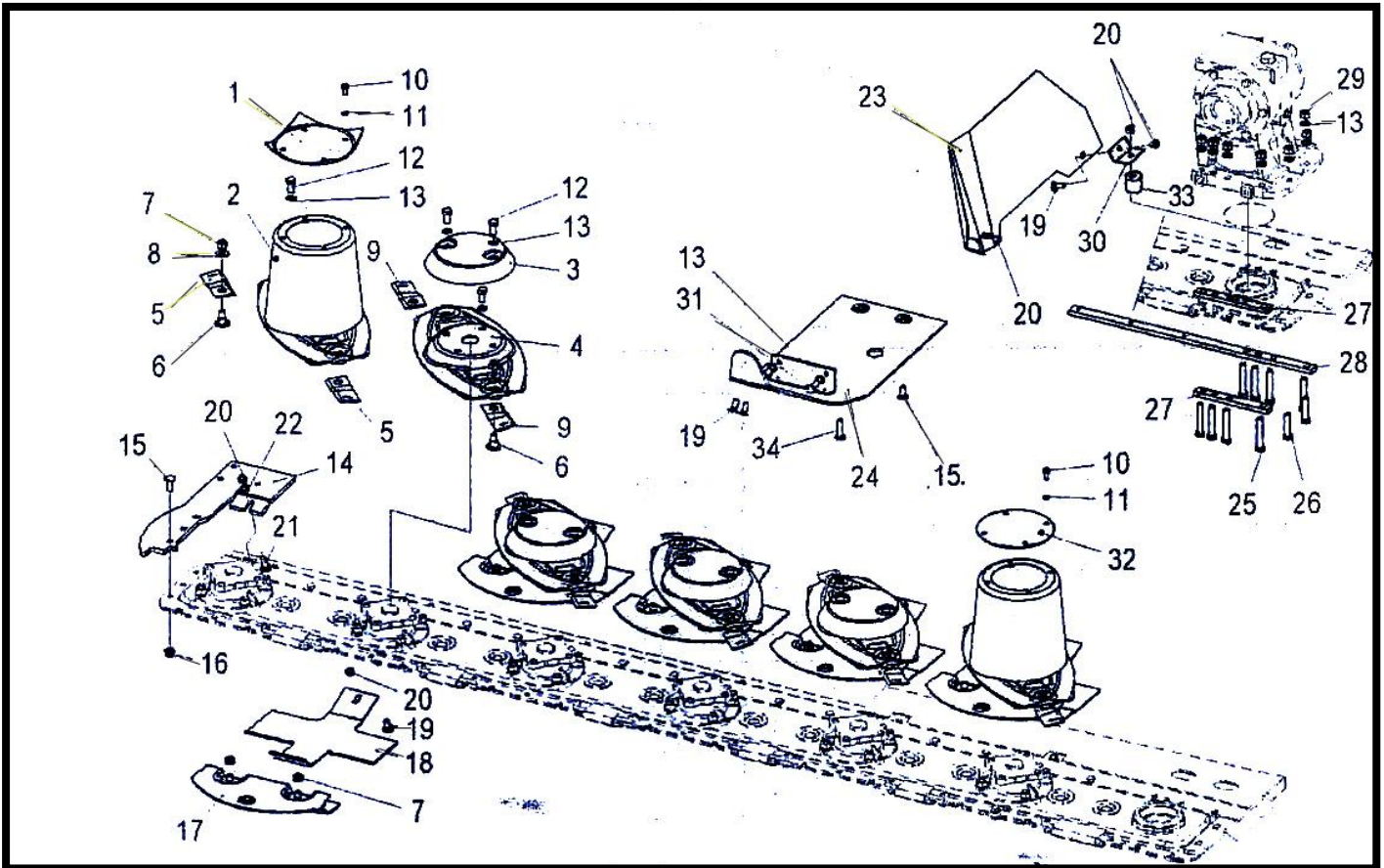
No.	Drawing No.	item	Qty	No.	Drawing No.	item	Qty
1	0450510100	Hydraulic cylinder	1				
2	0450510200	Pin	1				
3	0450510300	Bush	1				
4		Cotter pin 5x56	1				
5	0450510400	Hose CP G1/4x	1				
6		Elbow PF1/4-PT1/4	1				
7		Throttle valve Rc1/4	1				
8		Stope valve Rc1/4	1				
9		Pipe clamp	1				
10		Bolt M8x50	1				
11		Nylon locknut: M8	1				
12		Quick coupling	1				
13		Join PT1/4-1/8	1				
14		Plastic buckle 7.5x382	1				
15		Join PT1/4	1				
16		Washer M8	1				

PROTECTOR ASS



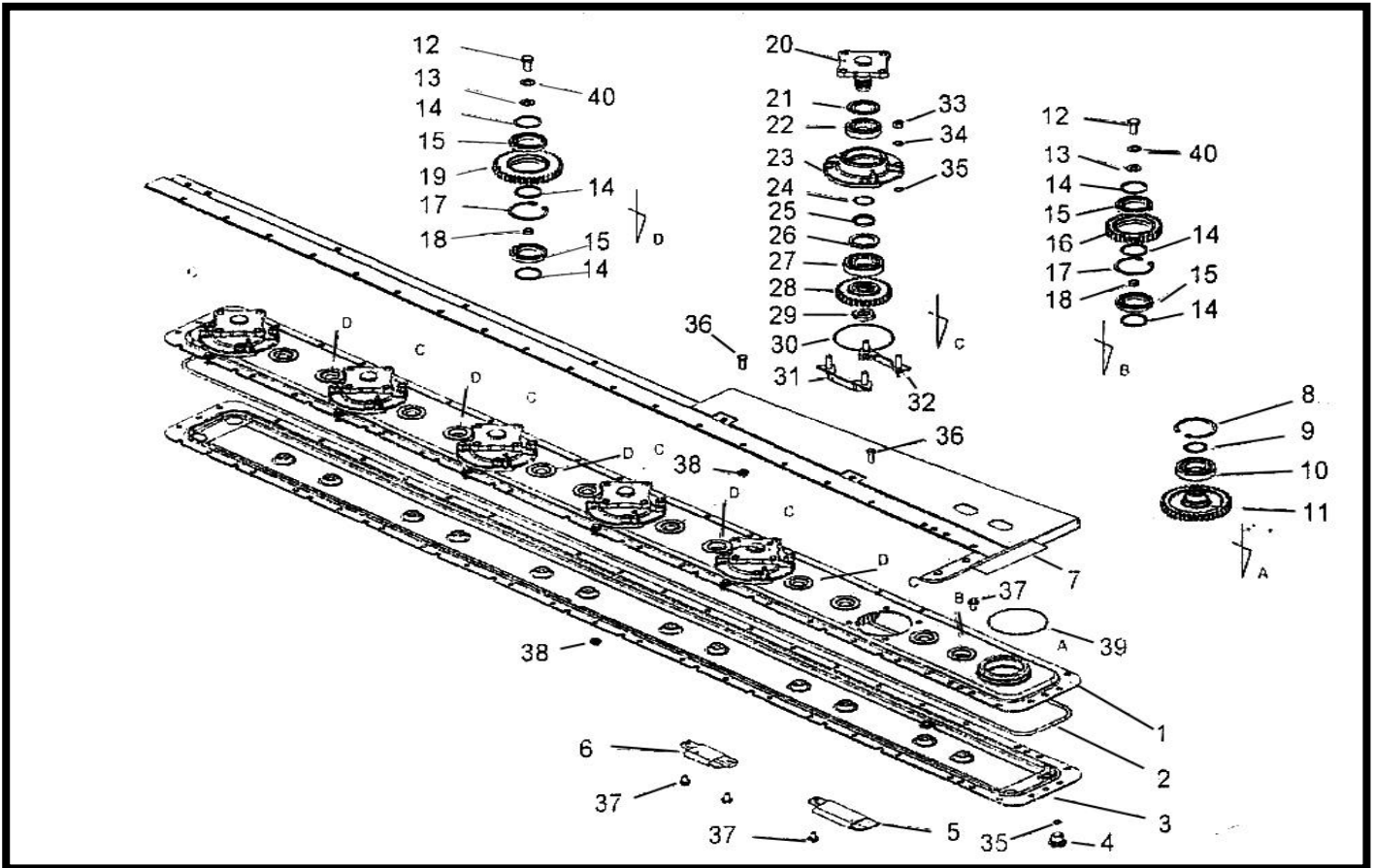
No.	Drawing No.	item	Qty	No.	Drawing No.	item	Qty
1	0450610100	Protector bracket CP	1				
2		Bolt M12x30 8.8	4				
3	0450610200	Protector CP	2				
4	0450610300	Handle 24	2				
5		Bolt M10x50	4				
6		Nylon locknut	6				
7	0450610400	Spring 4x125	1				
8		Bolt M10x60	3				
9		Nut M10 8.8	2				
10		Bayonet lock	1				
11		Protector cover	1				
12		Washer 10	4				
13		Spring washer 12	4				
14		Spring washer 10	1				

BRACKET---CUTTER BAR ASS



No.	Drawing No.	item	Qty	No	Drawing No.	item	Qty
1	0450710100	Side disc caps	1	21		Square neck bolt M10x35	1
2	0450710200	Side discs CP	2	22		Flat gasket 10	1
3	0450710300	Middle disc cups	4	23	0450711200	Connecting plate CP	1
4	0450710400	Middle discs CP	4	24	0450711300	Bracket bottom board CP	1
5	0450710500	Blades L	6	25		Hex bolt M12x75	8
6	0450710600	Bolt	12	26		Hex bolt M12x55	2
7		Nylon locknut M12	24	27	0450711400	Rod B	2
8		Washer	12	28	0450711500	Rod A	1
9	0450710800	Blades R	6	29		Hex bolt M12	10
10		Hex blot M8x20	8	30	0450711600	Folded plate	1
11		Spring washer 8	8	31		Hex bolt M12x20	2
12		Hex bolt M12x25	24	32	0450711700	Steel plate	1
13		Spring washer 12	36	33	0450711800	Bush	1
14	0450710900	Support positioning plate	1	34		Bolt M10x60	1
15		Square neck bolt M10x35	3				
16		Nylon locknut M10	3				
17	0450711000	Guard plate CP	6				
18	0450711100	Lower guard plate	6				
19		Square neck bolt M10x25	10				
20		Nylon locknut M10	12				

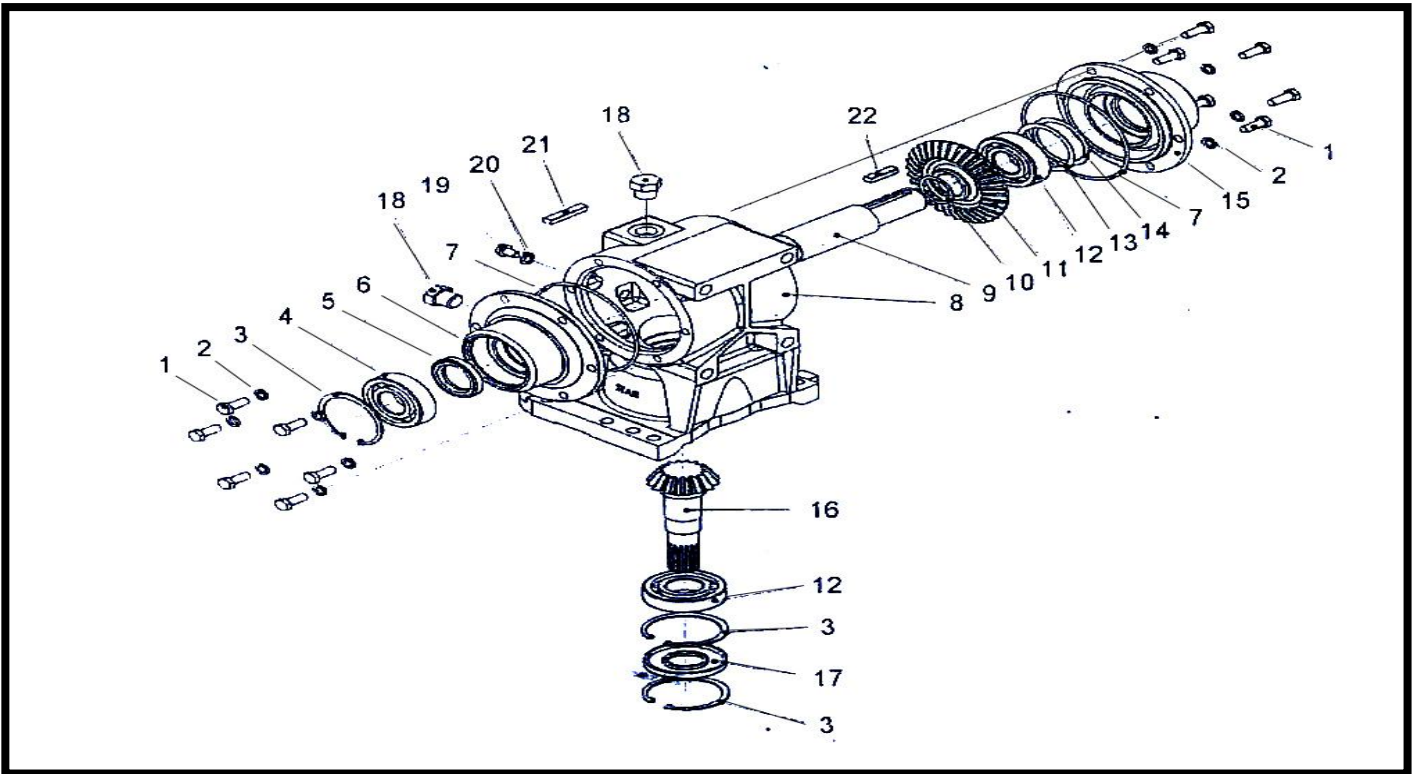
DISCS



No.	Drawing No.	item	Qty	No.	Drawing No.	item	Qty
1	0450810100	Upper gearbox cover CP	1	21	0450811300	Scraper seal	6
2		Seal bar	1	22		Deep groove ball bearing 6207-2RS	6
3	0450810300	Lower gearbox cover CP	1	23	0450811400	Disc sleeve	6
4		Oil Plug 1/4"	2	24		O seal ring G35	6
5	0450810400	Connecting plate CP2	1	25	0450811500	Inner Oil seal ring	6
6	0450810500	Connecting plate CP1	5	26		Oil seal 45x60x7	6
7	0450810600	Reinforcing bar	1	27		Deep groove ball bearing 6307	6
8		Circlip 80	1	28	0450811600	Gear 30T	6
9		Circlip 40	1	29		Hex nut M27	6
10		Deep groove ball bearing 6208	1	30		O seal ring G110	6
11	0450810700	Gear 39T	1	31	0450811700	Bolt connecting parts CP (large)	6
12		Hex bolt M14x35 8..8	12	32	0450811800	Bolt connecting parts CP (small)	6
13		Flat gasket 14	12	33		Hex nut M12	24
14	0450810800	Washer 2.7	36	34		Spring washer 12	24
15		Bearing 16009	24	35		O seal ring P11	26
16	0450810900	Gear 31T	2	36		Hex bolt M10x30	18
17		Circlip 75	12	37		Hex locking bolt M10x20	17
18	0450811000	Gasket ring	12	38		Hex locknut M10	24
19	0450811100	Gear 38T	10	39		O seal ring G100	1
20	0450811200	Disc shaft	6	40		Spring washer 14	12



GEARBOX



No.	Drawing No.	item	Qty	No	Drawing No.	item	Qty
1		Hex bolt M10x25	12				
2		Spring washer 10	12				
3		Circlip 80	3				
4		Deep groove ball bearing	1				
5		Seal 42x62x10	1				
6	0450910100	Gearbox cover A	1				
7		O seal ring G135	2				
8	0450910200	Gearbox	1				
9	0450910300	shaft	1				
10		Wedge	2				
11	0450910500	Bevel gear 33T	1				
12		Deep groove ball bearing	2				
13		Wedge 63x0.1	1				
14		Wedge 63x0.2	2				
15	0450910800	Gearbox cover B	1				
16	0450910900	Bevel gear shaft 16T	1				
17		Seal 35x80x10	1				
18		Bolt AS	2				
19		Bolt M10	1				
20		Washer	1				
21		Flat key 10x8x50	1				
22		Flat key 10x8x35	1				